

深圳市源磊科技有限公司

SHENZHEN RUNLITE TECHNOLOGY CO.,LTD.

2020-2021

RUNLITE

源磊科技 智慧之选

目录

Contents

公司介绍

About Runlite

■ 公司简介	01	■ 5050 RGBW Series	32
Company Profile		■ EMC5050 Round Cup	33
■ 企业文化	02	■ EMC5050 Square Cup	34
Corporate Culture		■ 3014 Series	35
■ 发展历程	03	■ 2835 RGB Series	36
Development History		■ COB1313 Series	37
■ 资质认证	04	■ COB1919 Series	38
Quality Certification		■ Ceiling Light Module Series	39
■ 白光分选	05		
White Light Sorting			

产品

Products

■ Filament LED Series	06
■ Flexible Filament Series	10
■ Ceramics Filament Series	12
■ 2835 HE Series	13
■ 2835 HV Series	15
■ 2835 FS Series	16
■ 2835 EC Series	17
■ 2835 Plant Growth Light Series	19
■ 2835 Back-lit Panel light Series	20
■ 4014 Series	21
■ 4010 Series	22
■ PCT3030 Series	23
■ EMC3030 Series	24
■ 3528 Series	25
■ 2016 Series	26
■ Flash 2016 Series	27
■ Front Flash 2016 Series	28
■ 5050 Series	29
■ 5050 RGB 0.6W Series	30
■ 5050 RGB 1.5W Series	31

公司简介

Company Profile

近二十年来，发光器件(LED)的技术创新改变了人们的生活，也为行业引入先进的LED照明解决方案创造了巨大的机遇，提高了人们的生活质量。源磊科技有限公司于2006年首次推出优质LED产品，不断提升产品品质，超越国际标准。

源磊科技有限公司是中国领先的电子产品制造商之一，在过去的10年里源磊在产品质量方面表现卓越；2013年，源磊被中国领先电子产品制造商 - 福建福日电子有限公司(简称:福日)收购，。福日作为大股东投资源磊。这种横向的整合使得源磊能够以大规模的投资进入下一阶段，进一步巩固其在LED行业的市场地位。

公司占地面积3万多平方米，现有员工1200多人，产品涉及表面贴装设备(SMD)、车载芯片(COB)、灯丝LED芯片封装、相机闪光灯(CF)、LED模组等多种LED产品。

除了LED技术外，源磊科技还在向物联网(IOT)模块、传感器设备、特种照明等高端电子元器件行业发展。源磊科技拥有一批国际研发团队，生产规模不断扩大，和福日拥有雄厚的融资背景，源磊正以广泛尖端的前沿电子产品，努力成为世界领先的技术创新者之一。源磊技术符合ISO14001(2004)、ISO9001(2008)、TS16494(2009)和ROHS 标准

Technology innovations in light emitting devices (LED) in past twenty years changes the life of people also creates tremendous opportunities for the industry to introduce advanced LED lighting solutions which improves quality of life. Runlite Technology has first launch first quality LED product in 2006 with the fact that keeping improve product quality even goes beyond International standard.

Excel in product quality during the past ten years, Runlite, now being one of the leading LED packaging manufacturers, was gaining interested by China leading electronic manufacturer, Fujian Furi Electronics Co., Ltd (Furi). In 2013, Furi invested in Runlite as major shareholder. This lateral integration allows Runlite migrate to next upper level with large scale of investments while further strengthen her market positions in LED industry.

Over 30,000 square meters of factory campus, with over 1200 staff, Runlite focus in wide range of LED products such as surface mount devices (SMD), Chip on board (COB), filament LED chip packages, camera flash (CF) and LED modules etc.

Beyond LED technology, Runlite Technology is now moving forward to high-end electronic component industry including Internet of thing (IOT) modules, Sensor devices and specialty lighting. With a group of international research and development team(R&D), production expansion and strong financing background of Furi, Runlite Technology is now moving forward to be one of the world leading technology innovators by providing wide range of cutting edge electronics products with highest level of standard. Runlite technology complied with ISO14001 (2004), ISO9001 (2008), TS16494 (2009) and ROHS compliance.



福建工厂 (Fujian Factory)



深圳工厂 (Shenzhen Factory)

Let the light alive

01

企业文化

Corporate Culture

使命 Mission

为顾客创造价值
Create values for clients

实现员工安居乐业
Ensure employees live and work with contentment and satisfaction

保障股东长远回报
Sustainable return to shareholders

承担企业社会责任
A company with Social accountability

愿景 Vision

做国际一流的光电半导体封装企业
We create values through sustainable technology innovations

核心价值 Value

团队
Team work

责任
Accountability

创新
Innovation

诚信
Integrity

经营理念 Philosophy

创造虽小但有价值的技术
Progressive inventions with great technological impact

将公司的发展作为个人幸福的源泉
Development of the company could in line with prospects of individual

追求所有协助者和区域社会的共同繁荣
Harmony with all stakeholders

以充满感谢和信赖的企业集团为目标
A company of gratitude and trust

发展历程

Development History

2006年3月,公司成立。

- Founded in March 2006;
- Cost effective quality LED products.

2006

2008年,完成工商注册,高亮低衰白光技术研发成功,ISO9001认证。

- ISO9001 certified;
- High lumen maintenance & high efficacy white LED products.

2008

2010

2010年, SMD LED 量产, POWER LED量产, 推行绩效管理。

- SMD/ High power LED sales ramp up;
- Mass production plan;
- Top China LED package manufacturer.

2011

2011年, 导入并实施能源之星标准, 中国首批通过LM-80。

- Energy Star compliance;
- Export business ramp up;
- LM-80 qualified.

2012

2012年, TS16949认证, ISO14001认证, TS16949认证, 国家高新技术企业, 首次参与光亚展。

- ISO14001 certified;
- TS16949 certified;
- "National Hi-Tech Enterprise Certificate" award;
- First show in GZ Light fair with branding awareness.

2013

2013年, 搬迁至独立工业园, 广东省优质制造商。

- Move to new factory for production expansion;
- Guangdong province awards "Best-in-class manufacturer" awarded by Guangdong Govt.

2014

2014年, 成功与福日电子并购, 灯丝产品研发成功。

- Acquired by China state owned enterprise, "Furi Electronics", an US10 billion electronic corporation;
- LED filament product launched;
- Wide range of Rigid/flex filament LED products.

2016

2016年, Flash批量生产, 公司提出扩产2000KK/月的计划。

- 2016 Flash light LED mass production;
- Capacity expansion to SMD>2000kk/m;

2017

2017年, 实施股权激励制度。

- Record high sales in history;
- Leading flexible filament /2835 in market;
- Migrate to specialty LED products.

2018

2018年,公司实现国际战略合作

- Global brand JDM model certified;
- Fuzhou factory expansion plan confirmed;
- VCSEL/ Sensor / ITO development;
- "Technology of Choice!" .

2019

2019年, 福州新工厂成立, 投资总额12亿元。

- New factory campus in Fuzhou;
- Over USD 170million investment.

TIMELINE

Development History

资质认证

Quality Certification

认证 Certification



Quality Certification

荣誉 Honors



公司建立了完善的质量管理体系，通过ISO9001质量管理体系认证、ISO14001环境管理体系认证、TS16949质量管理体系认证、产品通过美国能源之星LM-80测试认证、加入Zhaga、CSA等行业标准联盟，确保提供的是高品质LED。

We are one of the guiding pioneer in technology development and in the manufacture of high-quality opto semiconductor products.

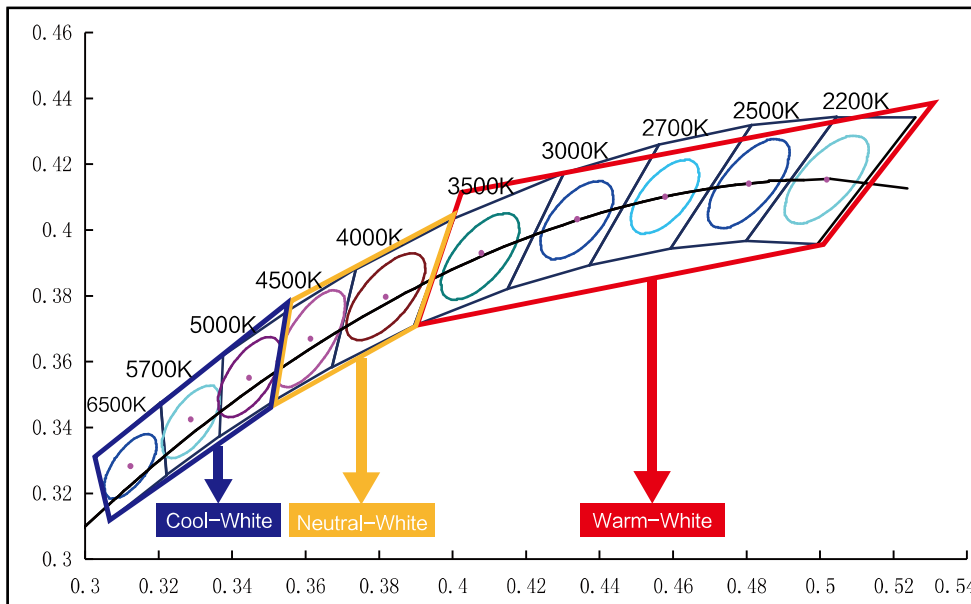
- ◇ISO9001
- ◇LM-80
- ◇ISO14001
- ◇Zhaga member
- ◇TS16949
- ◇CSA member

白光分选 MacAdam Steps

源磊科技可以提供各种色温版本的白光产品：以美标（ANSI标准）和欧标（IEC标准）两大国际标准为主，并辅以特定色域的产品开发，满足通用照明的需求并实现特定照明领域的需求。目前有分区块分光模式及3步或5步MacAdam椭圆模式，可以满足对颜色一致性有着严苛要求的应用领域。

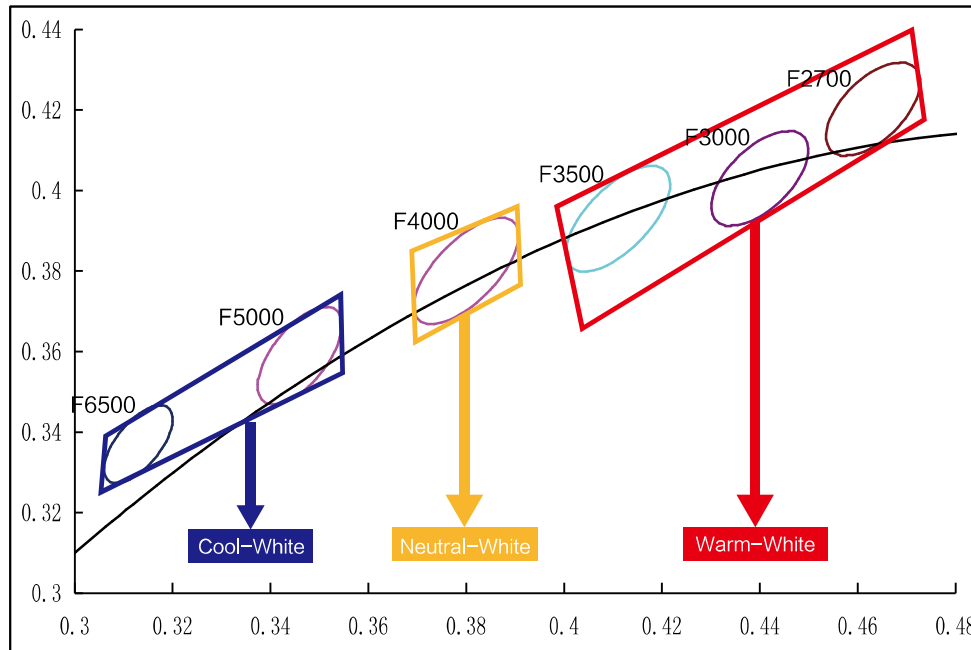
Runlite Technology provides widest range of Correlated Color Temperature (CCT) products in different package forms, such as Surface Mounted Devices (SMD), Chip On Board (COB), Filament LED packages for different illumination or any lighting applications. With American Nation Standards Institute (ANSI) and International Electrotechnical Commission (IEC) standards compliance, we can also support specific CCT request while currently offering 3 to 5 steps of MacAdam steps. Best in class colour consistency fulfils demanding lighting design requirements

ANSI



备注：2500K、2200K适用于灯丝产品

IEC



备注:图标坐标参照CIE 1931

MacAdam Steps

Filament LED Series



C35

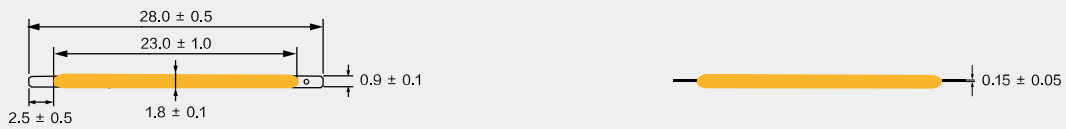
A60

ST64

Filament LED Series

Package Size

28(mm)



All dimensions are in millimeter

Parameter

Size(mm)	Part Number	Watt(W)	Luminous Flux(lm)	Vf(V)	If(mA)	Ra	CCT(K)
28	F2808A-241W22AH1JFR0R5-DJ00	0.65	80-100	65-71	10	80	2200K
	F2808A-241W27SJ1J3FR0R5-DJ00	0.65	95-115	65-71	10	80	2700K
	F2808A-241W41SJ2J3FR0R5-DJ00	0.65	100-120	65-71	10	80	4000K
	F2808A-241W50SJ2J3FR0R5-DJ00	0.65	100-120	65-71	10	80	5000K
	F2808A-241W64SJ2J3FR0R5-DJ00	0.65	100-120	65-71	10	80	6500K

Filament LED Series

38(mm)

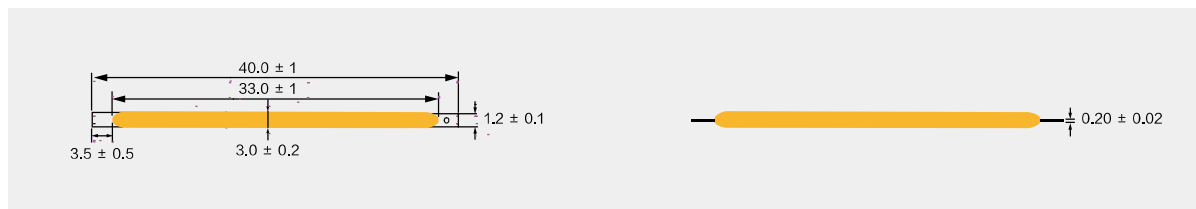


All dimensions are in millimeter

Parameter

Size(mm)	Part Number	Watt(W)	Luminous Flux(lm)	Vf(V)	If(mA)	Ra	CCT(K)
38	F3808A-241W22AK0K1FR0R5-DJ00	1	130-150	65-71	15	80	2200
	F3808A-241W27SK2K3FR0R5-DJ00	1	150-170	65-71	15	80	2700
	F3808A-241W41SK3K4FR0R5-DJ00	1	160-180	65-71	15	80	4000
	F3808A-241W50SK3K4FR0R5-DJ00	1	160-180	65-71	15	80	5000
	F3808A-241W64SK3K4FR0R5-DJ00	1	160-180	65-71	15	80	6500

40(mm)



All dimensions are in millimeter

Parameter

Size(mm)	Part Number	Watt(W)	Luminous Flux(lm)	Vf(V)	If(mA)	Ra	CCT(K)
40	F4030A-121W27SL2L3FM6N1-EJ00-IS	1.4	250-290	32-38	45	80	2700K
	F4030A-121W41SL2L3FM6N1-EJ00-IS	1.4	250-290	32-38	45	80	4000K
	F4030A-121W64SL2L3FM6N1-EJ00-IS	1.4	250-290	32-38	45	80	6000K

Filament LED Series

Filament LED Series

51(mm)



All dimensions are in millimeter

Parameter

Size(mm)	Part Number	Watt(W)	Luminous Flux(lm)	Vf(V)	If(mA)	Ra	CCT(K)
F5115	F5115A-251W22AK6L0FR1R6-D000	1.4	200-240	66-72	22	80	2200
	F5115A-251W27SL1L2FR1R6-D000	1.4	240-280	66-72	22	80	2700
	F5115A-251W41SL2L3FR1R6-D000	1.4	260-300	66-72	22	80	4000
	F5115A-251W50SL2L3FR1R6-D000	1.4	260-300	66-72	22	80	5000
	F5115A-251W64SL2L3FR1R6-D000	1.4	260-300	66-72	22	80	6500

Filament LED Series

51(mm)



All dimensions are in millimeter

Parameter

Size(mm)	Part Number	Watt(W)	Luminous Flux(lm)	Vf(V)	If(mA)	Ra	CCT(K)
51	F5130A-251W27SM3M4FR2R7-EJ00-IS	2	360-400	67-73	30	80	2700K
	F5130A-251W41SM3M4FR2R7-EJ00-IS	2	360-400	67-73	30	80	4000K
	F5130A-251W64SM3M4FR2R7-EJ00-IS	2	360-400	67-73	30	80	6000K

Filament LED Series

57(mm)

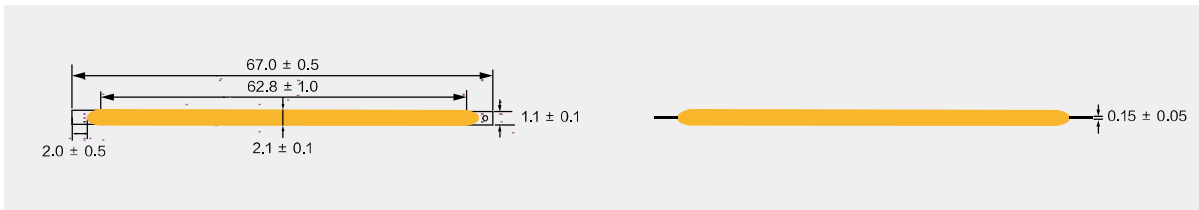


All dimensions are in millimeter

Parameter

Size(mm)	Part Number	Watt(W)	Luminous Flux(lm)	Vf(V)	If(mA)	Ra	CCT(K)
57	F5730A-251W27SN0N1FR2R7-EJ00-IS	2.58	435-500	68-73	38	80	2700K
	F5730A-251W41SN0N1FR2R7-EJ00-IS	2.58	435-500	68-73	38	80	4000K
	F5730A-251W64SN0N1FR2R7-EJ00-IS	2.58	435-500	68-73	38	80	6400K

67(mm)

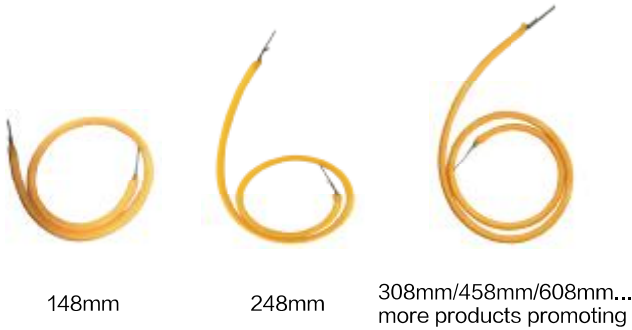


All dimensions are in millimeter

Parameter

Size(mm)	Part Number	Watt(W)	Luminous Flux(lm)	Vf(V)	If(mA)	Ra	CCT(K)
67	F6710A-451W22AK5K6FW9X4-DJ00	1.25	190-210	125-130	10	80	2200
	F6710A-451W27SL0L0FW9X4-DJ00	1.25	220-240	125-130	10	80	2700
	F6710A-451W41SL0L1FW9X4-DJ00	1.25	220-260	125-130	10	80	4000
	F6710A-451W50SL0L1FW9X4-DJ00	1.25	220-260	125-130	10	80	5000
	F6710A-451W64SL0L1FW9X4-DJ00	1.25	220-260	125-130	10	80	6500

Flexible Filament Series

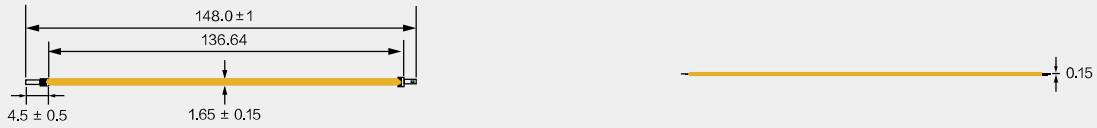


Flexible Filament Series

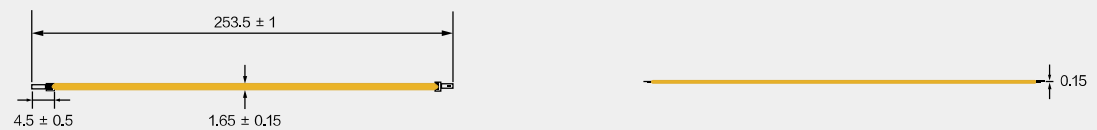


Package Size

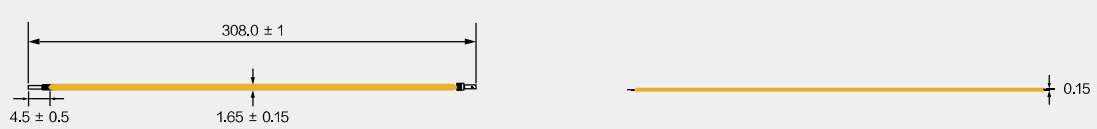
148(mm)



248(mm)



308(mm)



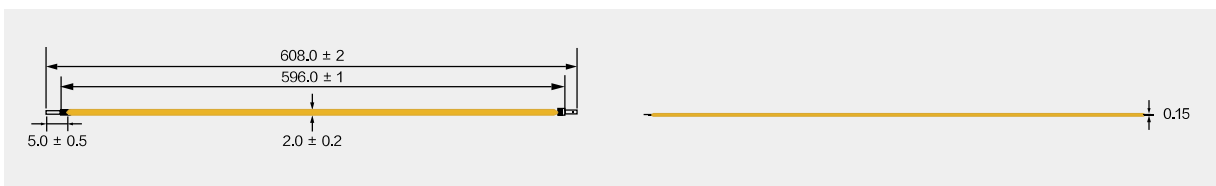
All dimensions are in millimeter

Flexible Filament Series

458(mm)



608(mm)



All dimensions are in millimeter

Parameter

Size(mm)	Part Number	Watt(W)	Luminous Flux(lm)	Vf(V)	If(mA)	Ra	CCT(K)
148	F1485F-532W22FL2L3FY0Y9-D000	2.8	240-270	135-145	20	80	2200
	F1485F-532W22FK7L1HY0Y9-D000	2.8	180-220	135-143	20	90	2200
	F1485F-532W27SL2L3FY0Y9-D000	2.8	250-280	135-145	20	80	2700
	F1485F-532W22FL0L2HY0Y9-D000	2.8	200-230	135-145	20	90	2700
248	F2485F-972W22FN1N2F3030-D000	5.2	500-600	250-260	20	80	2200
	F2485F-972W22FN0N1H3030-D000	5.2	400-500	250-260	20	90	2200
308	F3085F-524W22FN0N1HX5Y4-D000	5.5	400-500	135-145	40	90	2200
	F3085F-524W22FN1N2FX5Y4-D000	5.5	500-600	135-145	40	80	2200
458	F4585F-A03W22AJ0J2H3132-D000-IS	7.9	600-700	265-275	30	95	2200
	F4585F-A03W27SJ0J2H3132-D000-IS	7.9	700-800	265-270	30	80	2700
608	F6085F-A04W22AP0P1H3132-D000-IS	10.6	800-900	265-275	40	90	2200
	F6085F-A04W27SP0P1H3132-D000-IS	10.6	900-1000	265-270	40	90	2700

Flexible Filament Series

Ceramics Filament Series

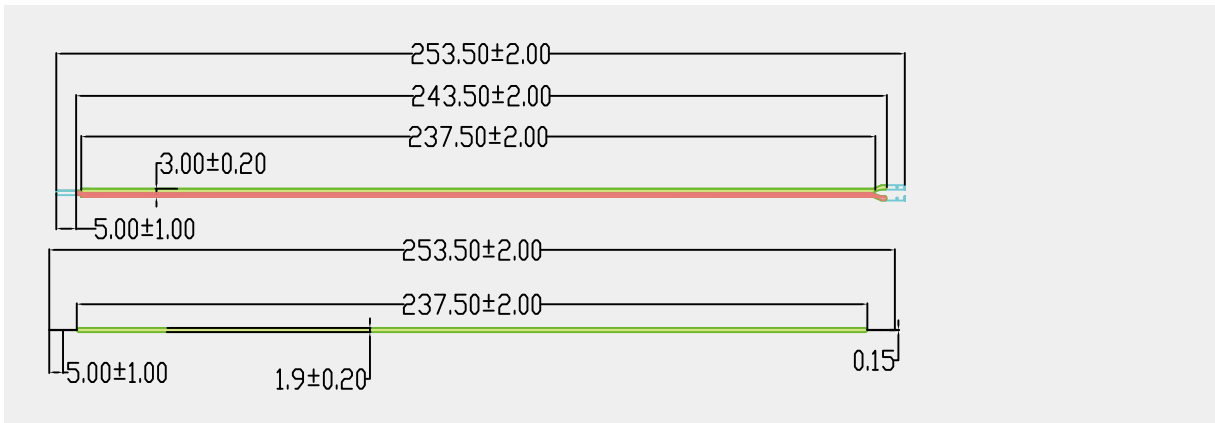


A60

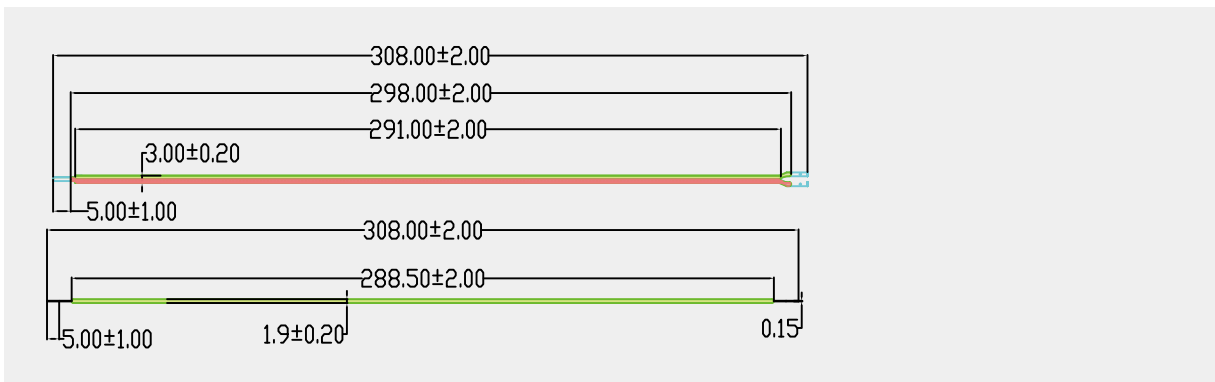
ST64



248(mm)



308(mm)

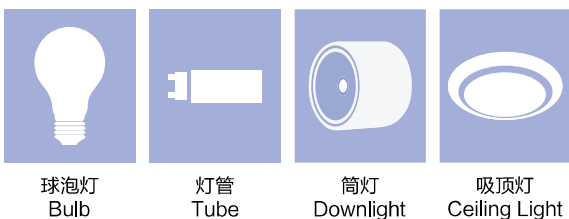


All dimensions are in millimeter

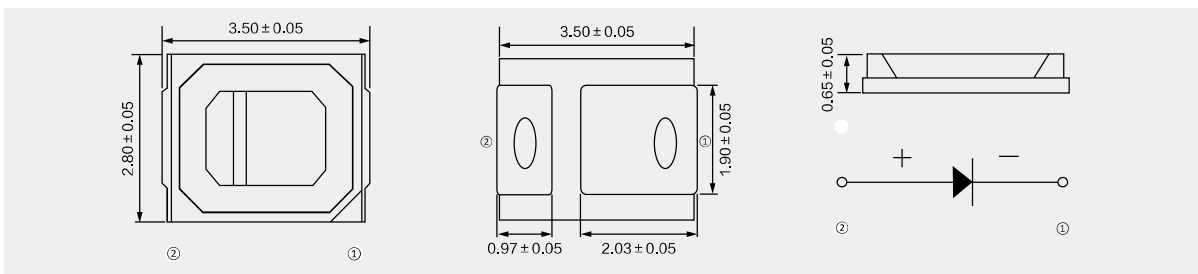
Parameter

Size(mm)	Part Number	Watt(W)	Luminous Flux(lm)	Vf(V)	If(mA)	Ra	CCT(K)
248	F2485F-A04W68H23GN2N6F3132-D000-IS	2.8	500-750	260-280	20	80	2300/7000
308	F3085F-A04W71Z20GN0N6F3132-D000-IS	2.8	400-750	260-280	20	80	2000/7100

2835 HE Series



Package Size



All dimensions are in millimeter

Parameter

2835 0.2W 3V 60mA

Part Number	Watt(W)	Luminous Flux(lm)	Vf(V)	If(mA)	Ra	CCT(K)
T28351-W29SD2E0FB2B3-AF00	0.2	30-34	2.7-3.1	60	80	3000
T28351-W41SE0E1FB2B3-AF00	0.2	32-36	2.7-3.1	60	80	4000
T28351-W64SC8E2FB2B3-AF00	0.2	33-37	2.7-3.1	60	80	6500

2835 HE Series

Part Number	Watt(W)	Luminous Flux(lm)	Vf(V)	If(mA)	Ra	CCT(K)
T28351-W29SD0D1FB3B5-MK01	0.2	26-30	2.8-3.1	60	80	3000K
T28351-W41SD0D1FB5B7-MK01			3.0-3.3	60	80	4000K
T28351-W64SD0D1FB5B7-MK00			3.0-3.3	60	80	6500K
T28351-W29SD1D2FB2B3-MK01	0.2	28-32	2.8-3.1	60	80	3000K
T28351-W41SD1D2FB3B5-MK01			2.8-3.1	60	80	4000K
T28351-W64SD1D2FB3B5-MK01			2.8-3.1	60	80	6500K

2835 0.2W 3V 60mA High Efficacy

Part Number	Watt(W)	Luminous Flux(lm)	Vf(V)	If(mA)	Ra	CCT(K)	Efficacy (Lm/W)
T28351-W29SD1D2FB2B4-LX00	0.2	28-32	2.7-3.0	60	80	3000K	170-180
T28351-W41SD2E0FB2B4-AF02	0.2	30-34	2.7-3.0	60	80	4000K	175-185
T28351-W64SD2E0FB2B4-AF00	0.2	30-34	2.7-3.0	60	80	6500K	175-185
T28351-W29SC6C7FB2B3-AF02	0.2	29-33	2.7-2.9	60	80	3000K	185-195
T28351-W41SC7C8FB2B3-AF00	0.2	31-35	2.7-2.9	60	80	4000K	190-200
T28351-W64SC7C8FB2B3-AF02	0.2	31-35	2.7-2.9	60	80	6500K	190-200
T28351-W29SC6C7FB2B3-AF06	0.2	29-33	2.7-2.9	60	80	3000K	185-195
T28351-W41SC7C8FB2B3-AF07	0.2	31-35	2.7-2.9	60	80	4000K	190-200
T28351-W64SC7C8FB2B3-AF06	0.2	31-35	2.7-2.9	60	80	6500K	190-200
T28351-W29SC6C7FB2B3-AF08	0.2	29-33	2.7-2.9	60	80	3000K	190-200
T28351-W41SE0E1FB2B3-AF01	0.2	32-36	2.7-2.9	60	80	4000K	195-205
T28351-W64SE0E1FB2B3-AF00	0.2	32-36	2.7-2.9	60	80	6500K	195-205

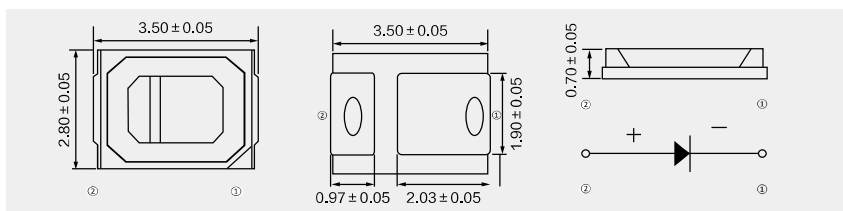
2835 HE Series



2835 HV Series



Package Size



All dimensions are in millimeter

2835 1W 9V 100mA

Part Number	Watt(W)	Luminous Flux(lm)	Vf(V)	If(mA)	Ra	CCT(K)
P28351-W29SJ3K0FE8F 1-AB00	1	110-130	8.8-9.6	100	80	3000
P28351-W41SK0K1FE8F 1-AB02		120-140	8.8-9.6	100	80	4000
P28351-W64SK1K2FE8F 1-0000		130-150	8.8-9.6	100	80	6500

2835 1W 18V 60mA

Part Number	Watt(W)	Luminous Flux(lm)	Vf(V)	If(mA)	Ra	CCT(K)
P28351-W29SK0K1FJ2J5-XXXX	1	120-140	18-20	60	80	3000
P28351-W41SJ5J9FJ2J5-XXXX		125-145	18-20	60	80	4000
P28351-W64SK1K2FJ2J5-XXXX		130-150	18-20	60	80	6500

2835 1W 36V 30mA

Part Number	Watt(W)	Luminous Flux(lm)	Vf(V)	If(mA)	Ra	CCT(K)
P28351-W29SK1K2FMBN1-XXXX	1	130-150	36-40	30	80	3000
P28351-W41SK2K3FN0N4-XXXX		140-160	36-40	30	80	4000
P28351-W64SK3K4FN0N4-XXXX		150-170	36-40	30	80	6500

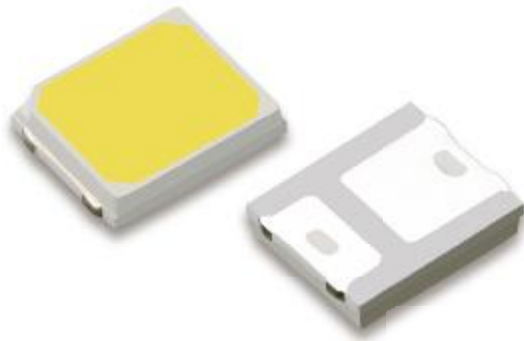
2835 0.5W 18V 30mA

Part Number	Watt(W)	Luminous Flux(lm)	Vf(V)	If(mA)	Ra	CCT(K)
P28351-W29SG2G2FJ2J7-XXXX	0,5	65-75	18-21	30	80	3000
P28351-W41SG1H0FJ2J7-XXXX		70-80	18-21	30	80	4000
P28351-W64SG1H0FJ2J7-XXXX		70-80	18-21	30	80	6500

2835 1W 12V 75mA

Part Number	Watt(W)	Luminous Flux(lm)	Vf(V)	If(mA)	Ra	CCT(K)
P28351-W29SJ3K0FG4G8-LX00	1	110-130	12-13	75	80	3000
P28351-W41SK0K1FG4G8-LX00		120-140	12-13	75	80	4000
P28351-W64SK0K1FG4G8-LX00		120-140	12-13	75	80	6500

2835 FS Series



植物灯
Grow Light



相机
Camera

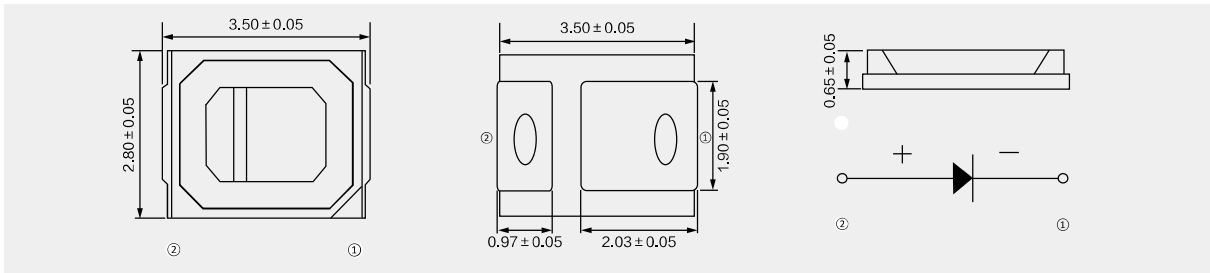


手术灯
Surgical light



护眼灯
Eye lamp

Package Size

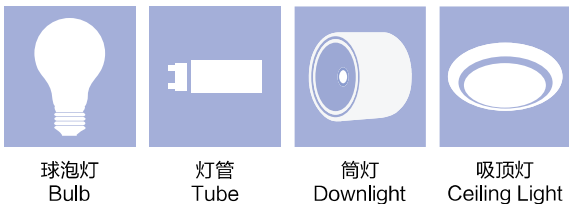
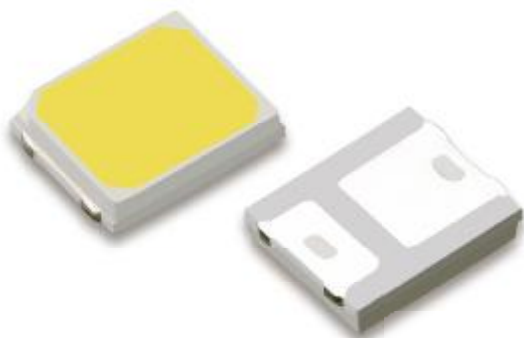


All dimensions are in millimeter

2835 0.2W 3V 60mA

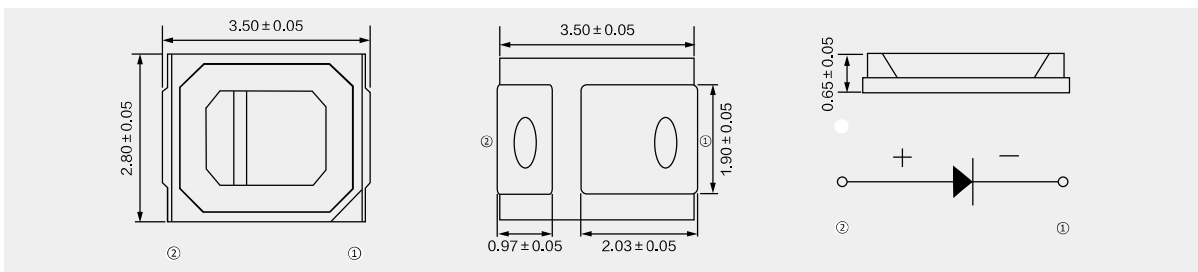
Part Number	Watt(W)	Luminous Flux(lm)	Vf(V)	If(mA)	RF	Rg	Ra	CCT(K)
T28351-F27SB5B7IB4B7-MK00	0.2	15-19	2.9-3.3	60	>90	>95	95	2700
T28351-F41YB9B9IB3B5-MK00		21-25	2.8-3.1	60	>90	>95	95	4000
T28351-F57YB9B9IB3C0-BD00		21-25	2.8-3.6	60	>90	>95	95	5700

2835 EC Series



2835 EC Series

Package Size

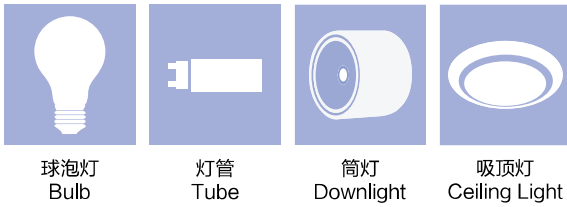
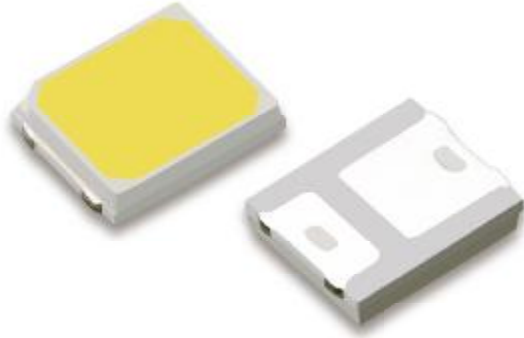


All dimensions are in millimeter

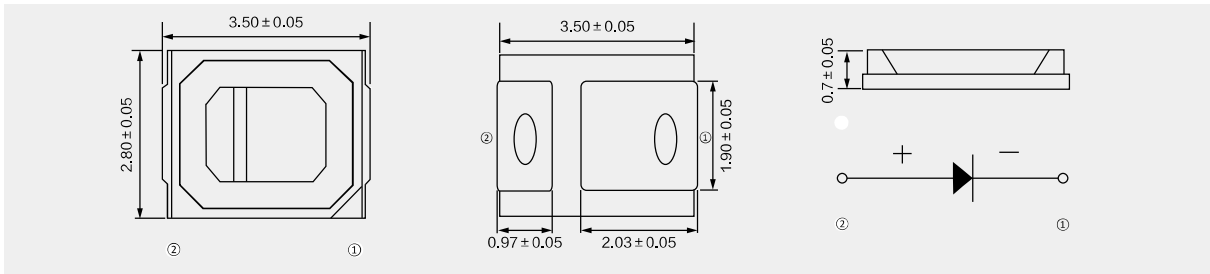
2835 0.2W 3V 60mA

Part Number	Watt(W)	Luminous Flux(lm)	Vf(V)	If(mA)	Ra	CCT(K)
T28351-W29SC3C4FB5B7-AF00	0.2	26-30	2.9-3.3	60	80	3000
T28351-W41SD0D1FB4B7-AF02		28-32	2.8-3.0	60	80	4000
T28351-W64SD1D2FB3B4-AF01		24-28	3.0-3.3	60	80	6500

2835 EC Series



Package Size



All dimensions are in millimeter

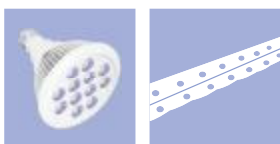
2835 0.5W 9V 60mA

Part Number	Watt(W)	Luminous Flux(lm)	Vf(V)	If(mA)	Ra	CCT(K)
P28351-W29SF3G0FE9F3-LX01	0.5	60-70	9.0-10.0	60	80	3000
P28351-W41SG1H0DF0F3-LX00		70-80	9.2-10.0	60	80	4000
P28351-W64SG1H0FE9F3-YG00		70-80	9.0-10.0	60	80	6500

2835 1W 54V 20mA

Part Number	Watt(W)	Luminous Flux(lm)	Vf(V)	If(mA)	Ra	CCT(K)
P28351-W29SK1K2FP8Q0-LX00	1	130-150	53-56	20	80	3000
P28351-W41SK2K3FP8Q0-LX00		140-160	53-56	20	80	4000
P28351-W64SK1K2FP6Q2-LX00		130-150	51-58	20	80	6500

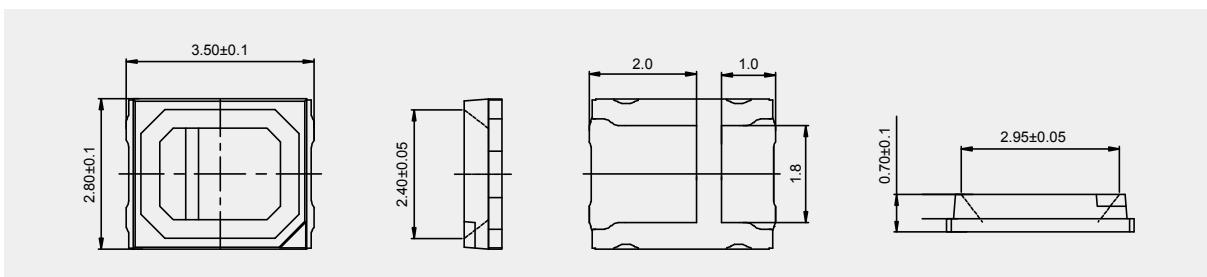
2835 Plant Growth Light Series



植物灯
Grow Light

灯条
Light Bar

Package Size

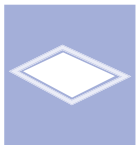
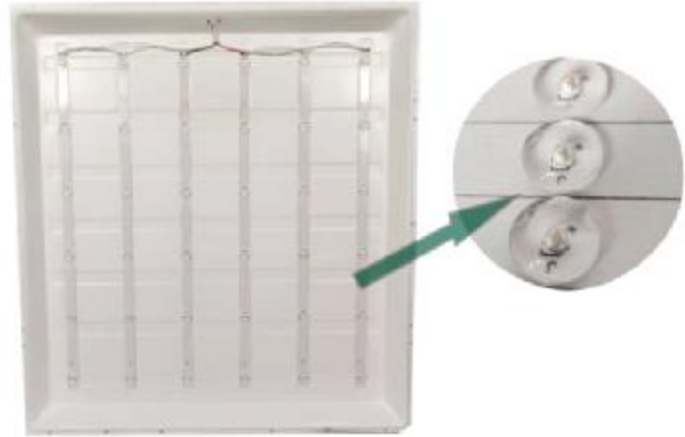


All dimensions are in millimeter

2835 0.5W 9V 60mA

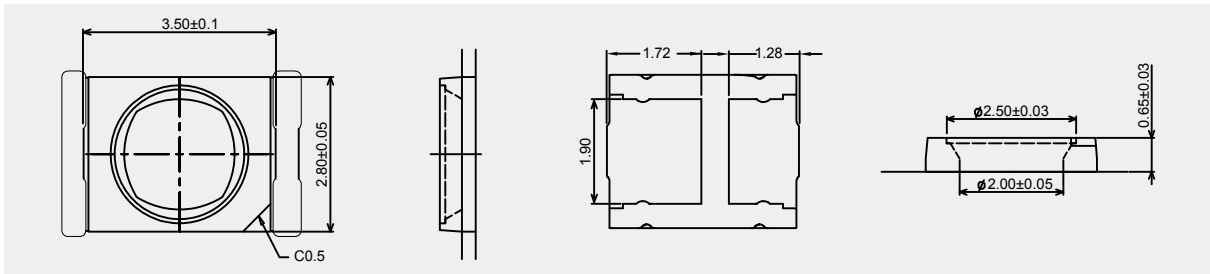
Part Number	Color	Power (W)	Vf(V)	If(mA)	Wp(nm)	IV(mcd)
T2835F-R650GJHDA5A9-XXXX	R	0.2	1.8-2.6	60	650-660	700-1400
T2835F-R650JBJCAA3A8-XXXX	R	0.5	1.8-2.6	150	650-660	2500-3500

2835 Back-lit Panel Light Series



面板灯
Panel Light

Package Size

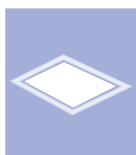


All dimensions are in millimeter

2835 1W 9V 100mA

Part Number	Power (W)	Luminous Flux (lm)	Vf(V)	If(mA)	Ra	CCT(K)
P2835X-W29SK0K1FE8F1-XXXX	1	120-140	8.8-9.6	100	80	3000
P2835X-W41SK1K2FE8F1-XXXX	1	130-150	8.8-9.6	100	80	4000
P2835X-W50SK2K3FE8F1-XXXX	1	140-160	8.8-9.6	100	80	5000
P2835X-W64SK2K3FE8F1-XXXX	1	140-160	8.8-9.6	100	80	6500

4014 Series



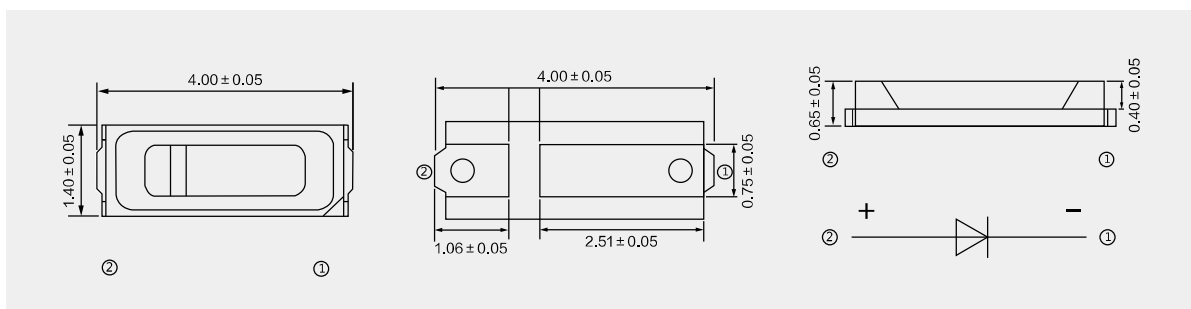
面板灯
Panel Light



灯管
Tube

4014 Series

Package Size

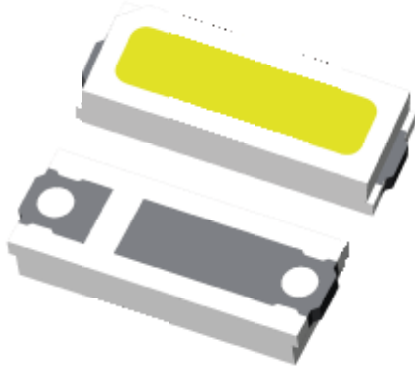


All dimensions are in millimeter

Parameter

Part Number	Watt(W)	Luminous Flux(lm)	Vf(V)	If(mA)	Ra	CCT(K)	Efficacy (Lm/W)
T40141-W29SC2D0FB3B5-MJ06	0.2	24-28	2.8-3.1	60	80	3000	185-195
T40141-W41SD0D1FB3B6-MJ11	0.2	26-30	2.8-3.2	60	80	4000	195-205
T40141-W64SD0D1FB3B5-MJ02	0.2	26-30	2.8-3.1	60	80	6500	205-215

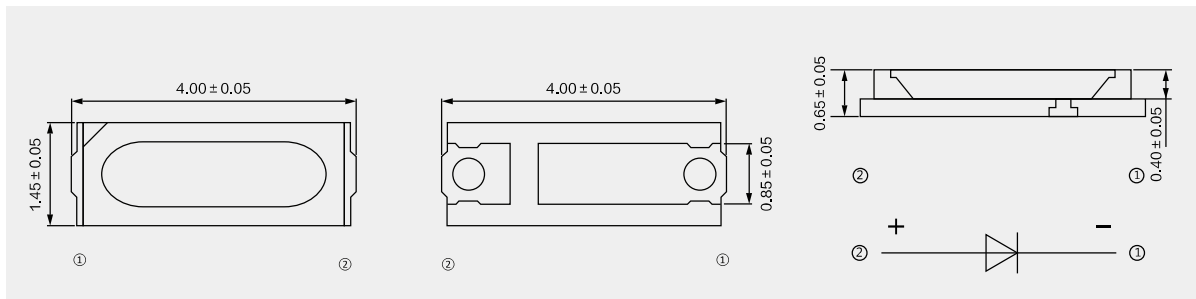
4010 Series



面板灯
Panel Light



Package Size



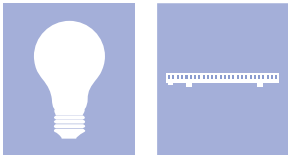
All dimensions are in millimeter)

Parameter

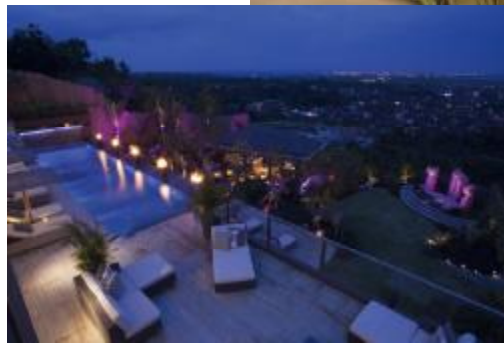
Part Number	Watt(W)	Luminous Flux(lm)	Vf(V)	If(mA)	Ra	CCT(K)	Efficacy (Lm/W)
T40101-W27SC1C2FB3B7-0000	0.2	22-26	2.8-3.3	60	80	2700	138-148
T40101-W29SC2D0FB3B7-0000	0.2	24-28	2.8-3.3	60	80	3000	148-158
T40101-W41SD0D1FB3B7-0000	0.2	26-30	2.8-3.3	60	80	4000	158-168
T40101-W64SD0D1FB3B7-0000	0.2	26-30	2.8-3.3	60	80	6500	158-168

4010 Series

PCT3030 Series

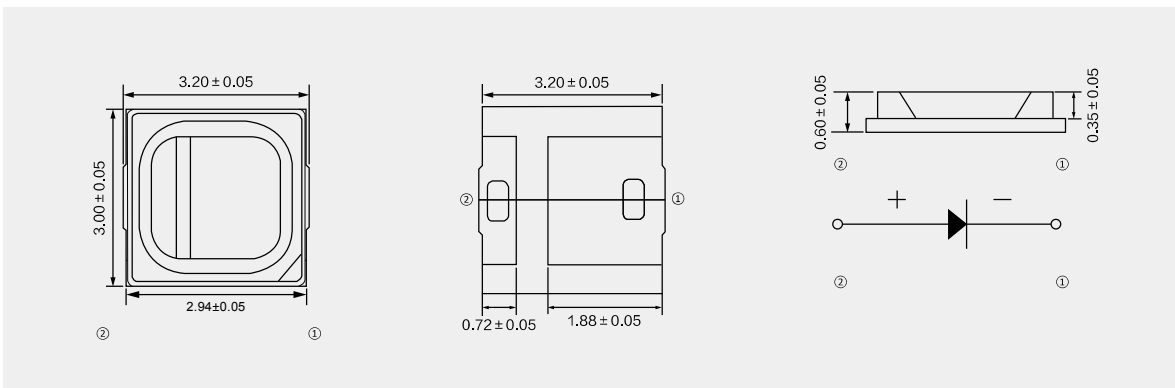


球泡灯 Bulb 洗墙灯 Led Wall Washer



PCT3030 Series

Package Size

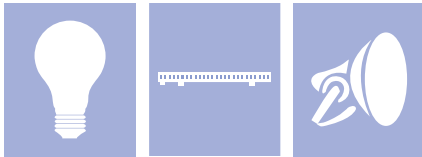


All dimensions are in millimeter)

Parameter

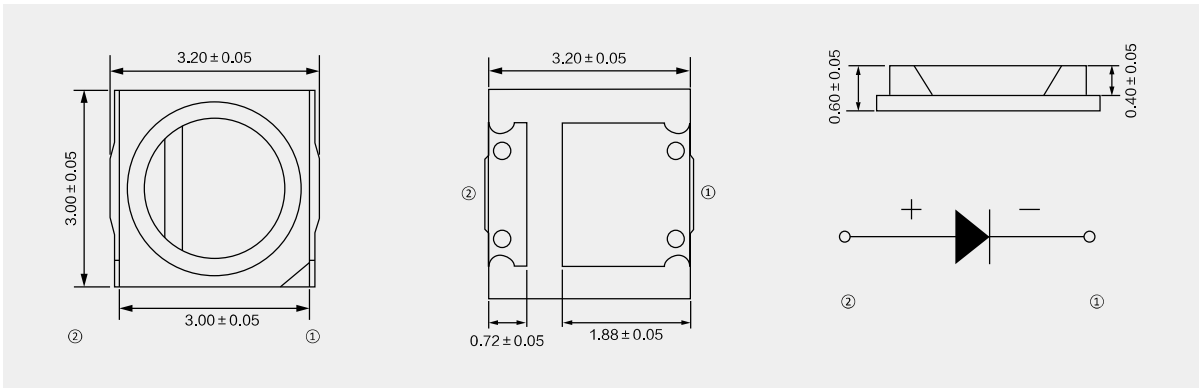
Part Number	Watt(W)	Luminous Flux(lm)	Vf(V)	If(mA)	Ra	CCT(K)
P30301-W27SJ2J3FE8F2-0000	1	100-120	8.8-9.8	100	80	2700
P30301-W29SJ3K0FE8F2-0000	1	110-130	8.8-9.8	100	80	3000
P30301-W34SK0K1FE8F2-0000	1	120-140	8.8-9.8	100	80	3500
P30301-W41SJ2J3FE8F2-0000	1	100-120	8.8-9.8	100	80	4000
P30301-W50SJ3K0FE8F2-0000	1	110-130	8.8-9.8	100	80	5000
P30301-W64SK0K1FE8F2-0000	1	120-140	8.8-9.8	100	80	6500

EMC3030 Series



球泡灯 Bulb 洗墙灯 Led Wall Washer High bay

Package Size



All dimensions are in millimeter)

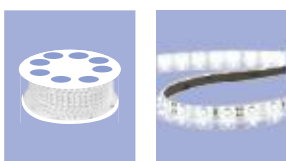
Parameter

Part Number	Watt(W)	Luminous Flux(lm)	Vf(V)	If(mA)	Ra	CCT(K)
E30301-W27SJ2J3FE8F2-0000	1	100-120	8.8-9.8	100	80	2700
E30301-W29SJ3K0FE8F2-0000	1	110-130	8.8-9.8	100	80	3000
E30301-W34SK0K1FE8F2-0000	1	120-140	8.8-9.8	100	80	3500
E30301-W41SJ2J3FE8F2-0000	1	100-120	8.8-9.8	100	80	4000
E30301-W50SJ3K0FE8F2-0000	1	110-130	8.8-9.8	100	80	5000
E30301-W64SK0K1FE8F2-0000	1	120-140	8.8-9.8	100	80	6500

EMC3030 Series

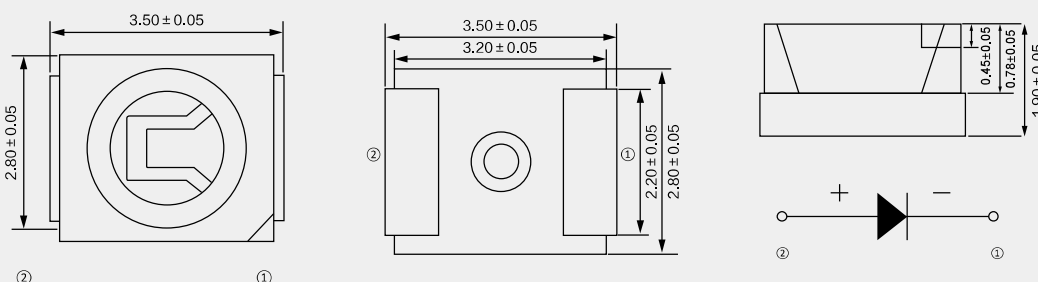


3528 Series



灯带 Strip
白光灯带 White Strip Light

Package Size

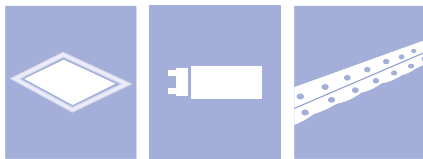


All dimensions are in millimeter

Parameter

Part Number	Watt(W)	Luminous Flux(lm)	Vf(V)	If(mA)	Ra	CCT(K)
T35281-W27SA2A3FB2B7-AI00	0.06	6-8	2.7-3.3	20	80	2700
T35281-W29SA3A4FB2B7-AI00	0.06	7-9	2.7-3.3	20	80	3000
T35281-W34SA3A4FB2B7-AI00	0.06	7-9	2.7-3.3	20	80	3500
T35281-W41SA2A3FB2B7-AI00	0.06	6-8	2.7-3.3	20	80	4000
T35281-W50SA3A4FB2B7-AI00	0.06	7-9	2.7-3.3	20	80	5000
T35281-W64SA4A5FB2B7-AI00	0.06	8-10	2.7-3.3	20	80	6500
T35281-W70GA4A4EB2B6-0000	0.06	7-9	2.7-3.2	20	80	7000
T35281-W86GA3A4DB3B8-AI00	0.06	7-9	2.7-3.4	20	80	8600
T35281-WWG0A3A5FB2B5-AI00	0.06	7-9	2.8-3.1	20	80	10000
T35281-WVGXA3A4DB3C0-AI00	0.06	7-9	2.8-3.6	20	70	12000
T35281-WWA0A2A3EB3C0-AI01	0.06	6-8	2.8-3.6	20	75	25000

2016 Series

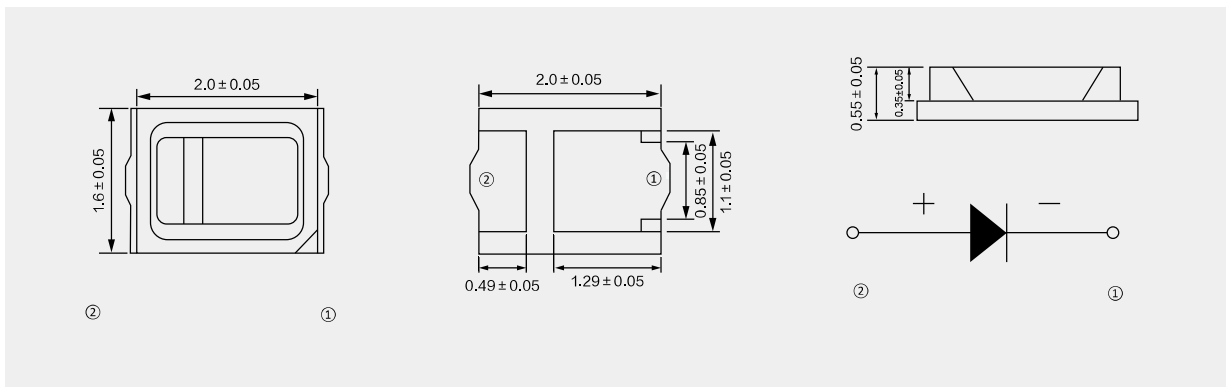


面板灯
Panel Light

灯管
Tube

灯条
Light Bar

Package Size

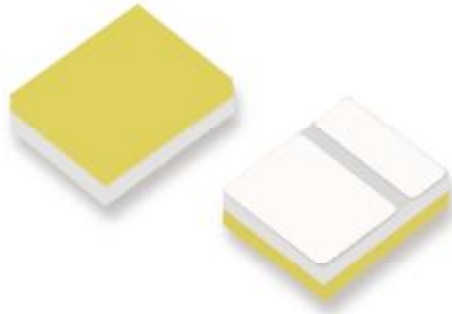


All dimensions are in millimeter

Parameter

Part Number	Watt(w)	Luminous Flux(lm)	Vf(V)	If(mA)	Ra	CCT(K)
T20161-W27SB7C0FB2B7-AI00	0.2	18-22	2.7-3.3	60	80	2700
T20161-W29SC0C1FB2B7-AI00	0.2	20-24	2.7-3.3	60	80	3000
T20161-W34SC1C2FB2B7-AI00	0.2	22-26	2.7-3.3	60	80	3500
T20161-W41SC0C1FB2B7-AI00	0.2	20-24	2.7-3.3	60	80	4000
T20161-W50SC1C2FB2B7-AI00	0.2	22-26	2.7-3.3	60	80	5000
T20161-W64SC2D0FB2B7-AI00	0.2	24-28	2.7-3.3	60	80	6500

Flash 2016 Series

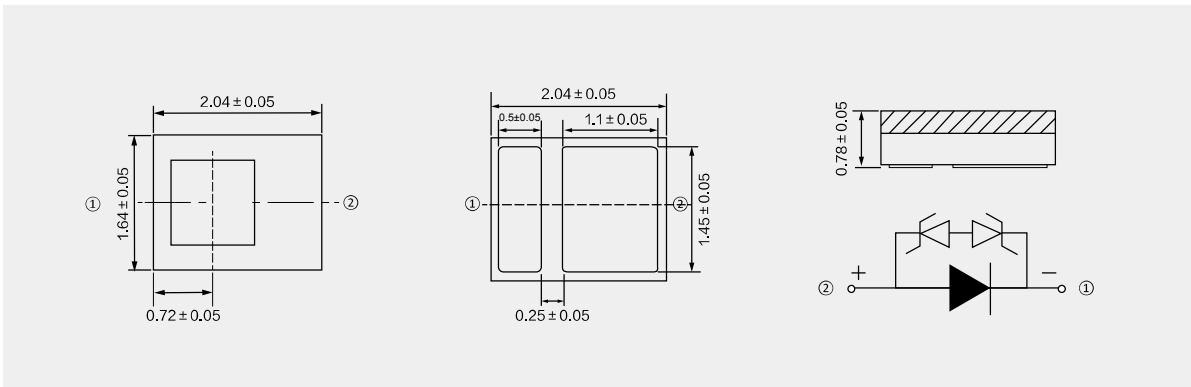


手机
Mobile Phone

相机
Camera

Flash 2016 Series

Package Size

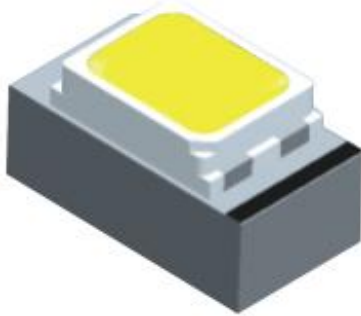


All dimensions are in millimeter)

Parameter

Part Number	If(mA)	Luminous Flux(lm)	Ifp(mA)	Luminous Flux(lm)	Vf(V)	Ra	CCT(K)
P2016F-W57WE1F2FD0D3-LX01	150	45-75	350	90-140	2.8-3.6	80	5000-6000
A2016C-W57WG5H3AD1D4-0001	350	90-140	500	140-180	3.0-3.8	70	5000-6000
A2016C-W57WJ2K1AD1D3-0001	500	/	1000	200-280	3.0-4.2	70	5000-6000
A2016C-W57WK1K2AD1D4-0003	500	/	1000	250-300	3.0-3.8	70	5000-6000
A2016C-W22WK0K1AD1D4-0001	500	/	1000	220-280	3.0-3.8	70	1950-2450
A2016C-W57WK2K3AD1D3-0001	500	/	1000	290-350	3.0-3.8	70	5000-6000

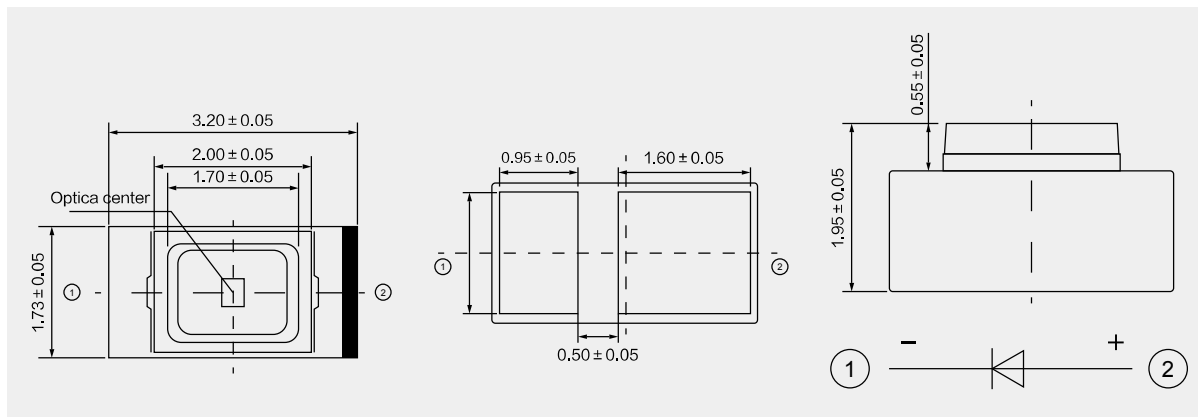
Front Flash 2016 Series



手机
Mobile Phone



Package Size



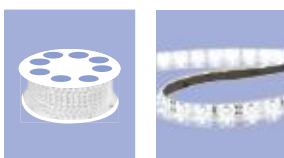
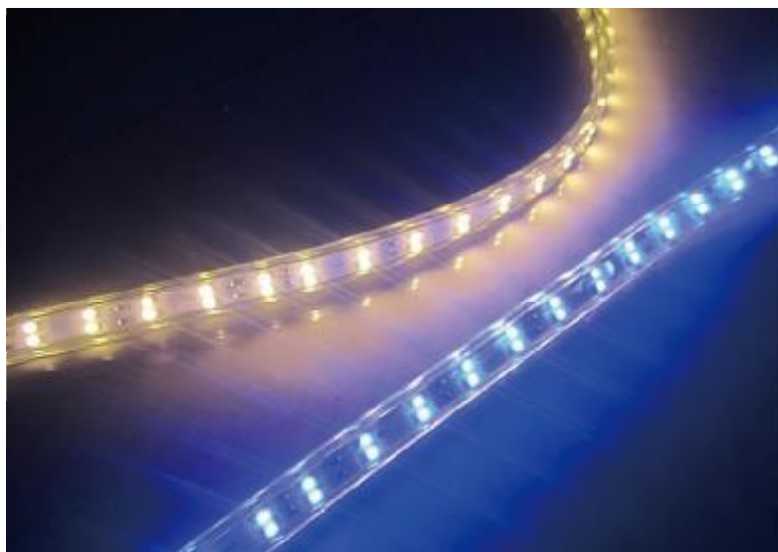
All dimensions are in millimeter)

Parameter

Part Number	If(mA)	Luminous Flux(lm)	Ifp(mA)	Luminous Flux(lm)	Vf(V)	Ra	CCT(K)
P20161-W45WE0F1FD0D3-0001	150	40-70	350	90-140	2.8-3.6	80	4100-5100

Front Flash 2016 Series

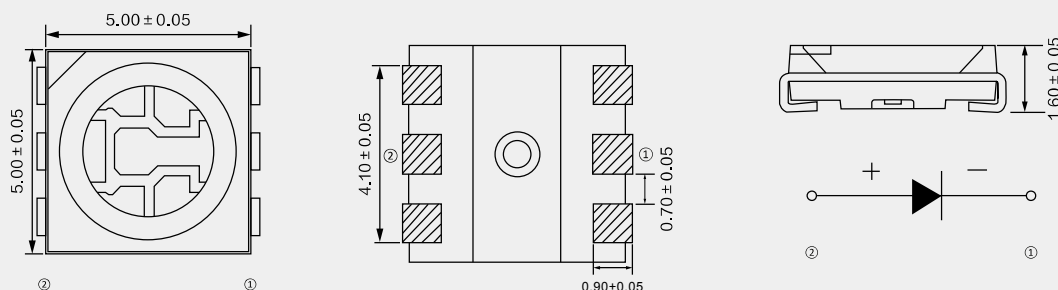
5050 Series



灯带 Strip Light 白光灯带 White Strip Light

5050 Series

Package Size



All dimensions are in millimeter

Parameter

Part Number	Watt(W)	Luminous Flux(lm)	Vf(V)	If(mA)	Ra	CCT(K)
T50501-W27SC0C1B2B7-AI00	0.2	20-24	2.7-3.3	60	80	2700
T50501-W29SC1C2B2B7-AI00	0.2	22-26	2.7-3.3	60	80	3000
T50501-W34SC2D0B2B7-AI00	0.2	24-28	2.7-3.3	60	80	3500
T50501-W41SB7C0B2B7-AI00	0.2	20-24	2.7-3.3	60	80	4000
T50501-W50SC1C2B2B7-AI00	0.2	22-26	2.7-3.3	60	80	5000
T50501-W64SC2D0B2B7-AI00	0.2	24-28	2.7-3.3	60	80	6500

5050 RGB 0.6W Series



智能家居照明
Smart home lighting



高端彩光产品
High-end colorful lighting

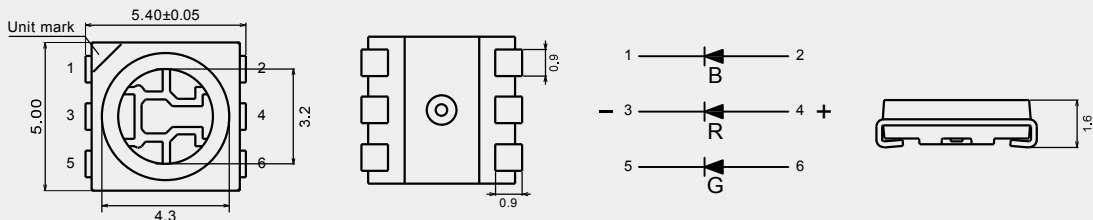


城市亮化工程
Urban lighting project



点光源
Point light source

Package Size



All dimensions are in millimeter

Parameter

Part Number	Color	Power (W)	Vf(V)	If(mA)	Wp(nm)	IV(mcd)
T5050F-QRGBHHJCAA3C0-XXXX	R	0.2	1.8-2.6	60	615-625	1750-3500
	G	0.2	2.8-3.6	60	515-525	4400-8800
	B	0.2	2.8-3.6	60	450-460	700-1100

5050 RGB 1.5W Series



智能家居照明
Smart home lighting



高端彩光产品
High-end colorful lighting

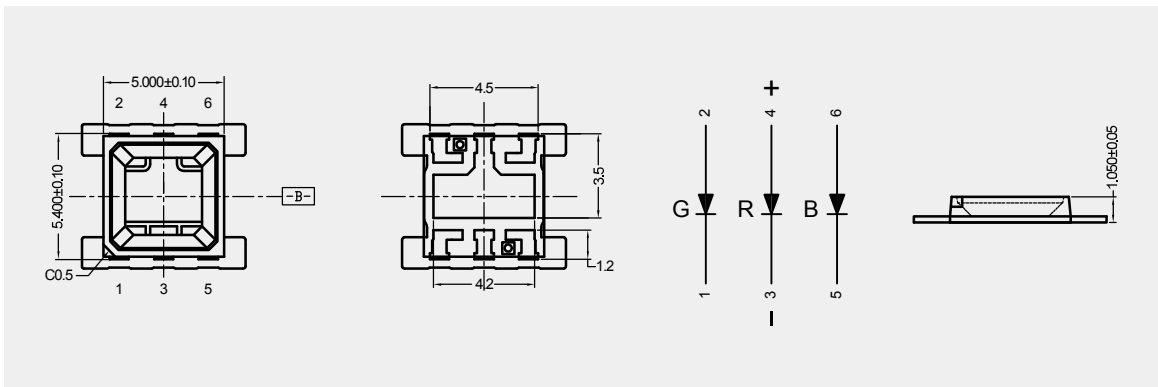


城市亮化工程
Urban lighting project



点光源
Point light source

Package Size

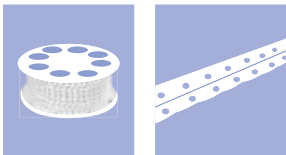
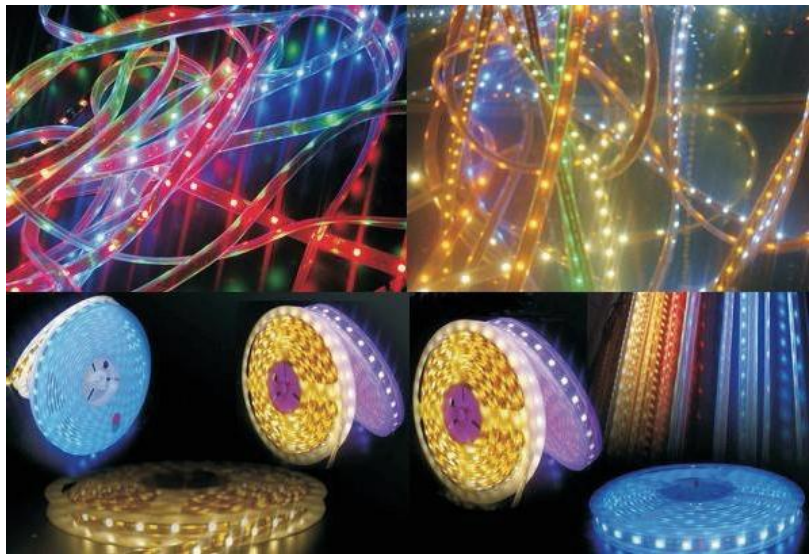


All dimensions are in millimeter

Parameter

Part Number	Color	Power (W)	Vf(V)	If(mA)	Wp(nm)	IV(mcd)
P5050F-QRGBC0C1A7C2-XXXX	R	0.5	1.8-2.6	150	615-625	18-23
	G	0.5	2.8-3.6	150	520-530	35-45
	B	0.5	2.8-3.6	150	450-460	5-10

5050 RGBW Series

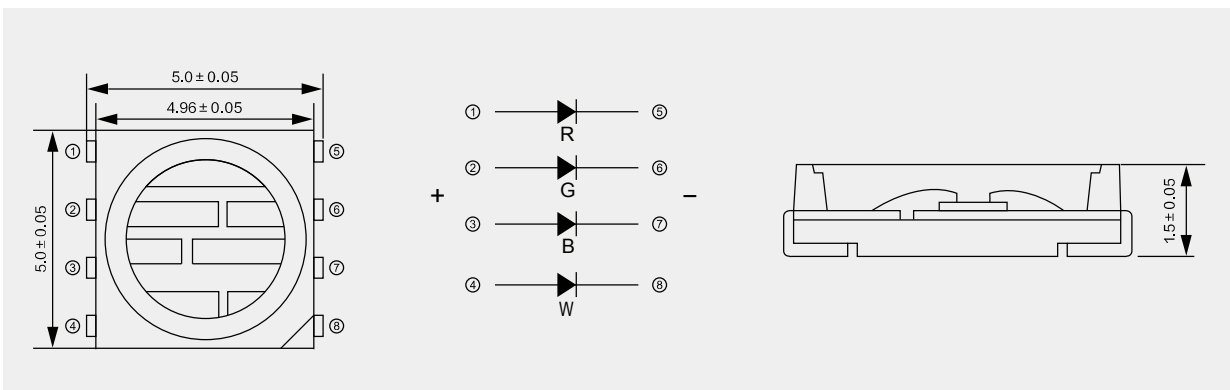


灯带
Strip

灯条
Light Bar

5050 RGBW Series

Package Size



All dimensions are in millimeter

Parameter

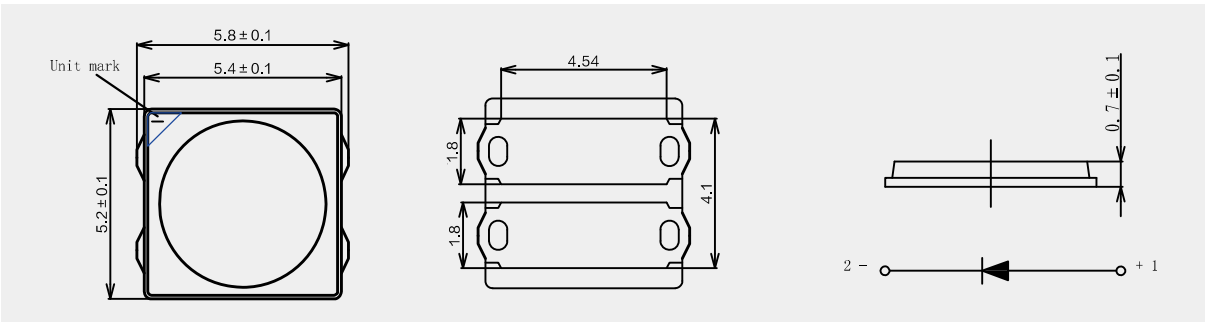
Part Number	Color	Watt(W)	Luminous Flux(lm)	Vf(V)		Iv(mcd)		Wd(nm)		CCT(K)		Ra
				Min	Max	Min	Max	Min	Max	Min	Max	
T5050F-RGBWB7C0FA3C0-AI00 (Low Brightness)	● R	0.4	---	1.8	2.6	550	880	615	625	---	---	---
	● G		---	2.8	3.6	880	1400	515	525	---	---	---
	● B		---	2.8	3.6	150	350	460	470	---	---	---
	W		16-20	2.8	3.6	---	---	---	---	2807	3220	80
T5050F-RGBWB9B9FA3B8-AI00 (High Brightness)	● R	0.4	---	1.8	2.4	700	1400	615	625	---	---	---
	● G		---	2.8	3.4	1300	2200	515	525	---	---	---
	● B		---	2.8	3.4	300	440	460	470	---	---	---
	W		21-25	2.8	3.4	---	---	---	---	6020	6530	80

Note: RGB@20mA W@60mA

EMC5050 Series (Round CUP)



Package Size



All dimensions are in millimeter

Parameter

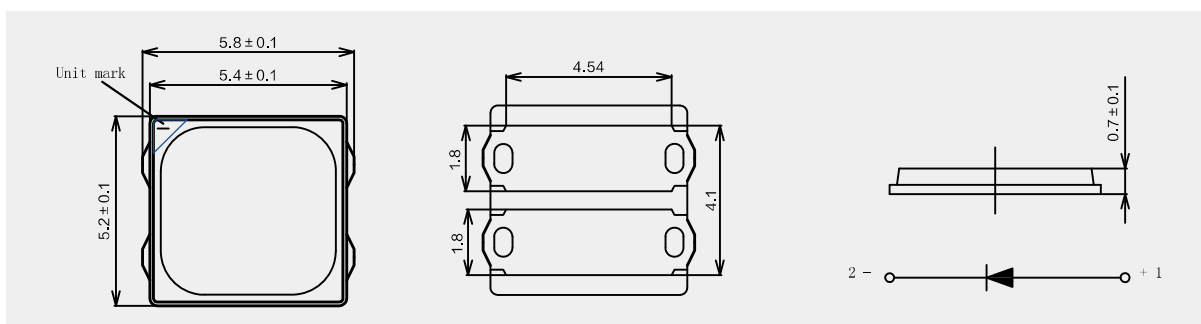
Part Number	Watt(W)	Luminous Flux(lm)	Vf(V)	If(mA)	Ra	CCT(K)	Efficacy (lm/w)	Tj(°C)
E50501-W27SXXXXXFXXXX-XXXX	1	173	22.5	45	80	2700	170	125
E50501-W50SXXXXXFXXXX-XXXX	1	183	22.5	45	80	5000	180	125
E50501-W27SXXXXXHXXXX-XXXX	1	151	22.5	45	90	2700	149	125
E50501-W50SXXXXXHXXXX-XXXX	1	159	22.5	45	90	5000	157	125
E50501-W27SXXXXXFXXXX-XXXX	5	617	32.3	150	80	2700	127	125
E50501-W50SXXXXXFXXXX-XXXX	5	652	32.3	150	80	5000	135	125
E50501-W27SXXXXXHXXXX-XXXX	5	537	32.3	150	90	2700	111	125
E50501-W50SXXXXXHXXXX-XXXX	5	567	32.3	150	90	5000	117	125

EMC5050 Series

EMC5050 Series (Square Cup)



Package Size



All dimensions are in millimeter

Parameter

Part Number	Watt(W)	Luminous Flux(lm)	Vf(V)	If(mA)	Ra	CCT(K)	Efficacy (lm/w)	Tj(°C)
E5050S-W27SXXXXFXXXX-XXXX	1	175	33.3	30	80	2700	175	125
E5050S-W50SXXXXFXXXX-XXXX	1	185	33.3	30	80	5000	185	125
E5050S-W27SXXXXHXXXX-XXXX	1	152	33.3	30	90	2700	152	125
E5050S-W50SXXXXHXXXX-XXXX	1	161	33.3	30	90	5000	161	125
E5050S-W27SXXXXFXXXX-XXXX	5	670	38	38	80	2700	130	125
E5050S-W50SXXXXFXXXX-XXXX	5	715	38	38	80	5000	140	125
E5050S-W27SXXXXHXXXX-XXXX	5	583	38	38	90	2700	114	125
E5050S-W50SXXXXHXXXX-XXXX	5	622	38	38	90	5000	121	125
E5050S-W27SXXXXFXXXX-XXXX	6	734	39	39	80	2700	125	125
E5050S-W50SXXXXFXXXX-XXXX	6	782	39	39	80	5000	135	125
E5050S-W27SXXXXHXXXX-XXXX	6	639	39	39	90	2700	109	125
E5050S-W50SXXXXHXXXX-XXXX	6	680	39	39	90	5000	116	125

3014 Series

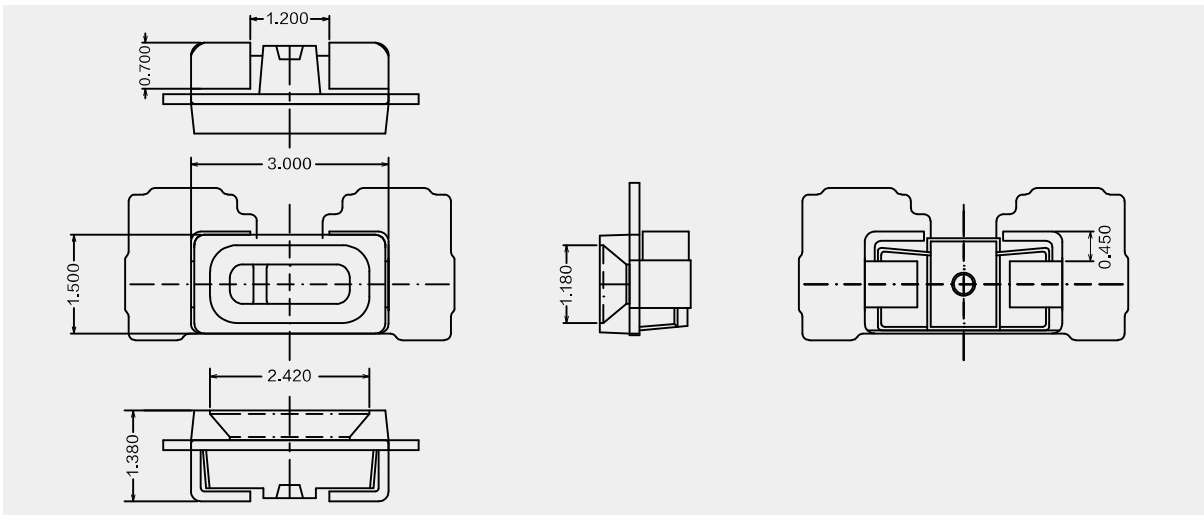


灯带
Strip



白光灯带
White Strip Light

Package Size



All dimensions are in millimeter

Parameter

Part Number	Watt(W)	Luminous Flux(lm)	Vf(V)	If(mA)	Ra	CCT(K)
T3014C-W29SB1B2FB4B7-XXXX	0.1	11-13	3	30	80	3000
T3014C-W41SB1B2FB4B7-XXXX	0.1	11-13	3	30	80	4000
T3014C-W64SB1B2FB4B7-XXXX	0.1	11-13	3	30	80	6500



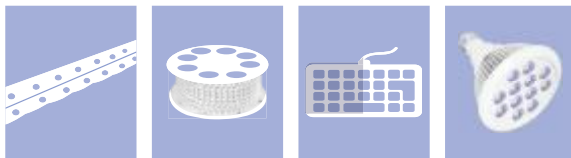
2835 RGB Series



Red

Green

Blue



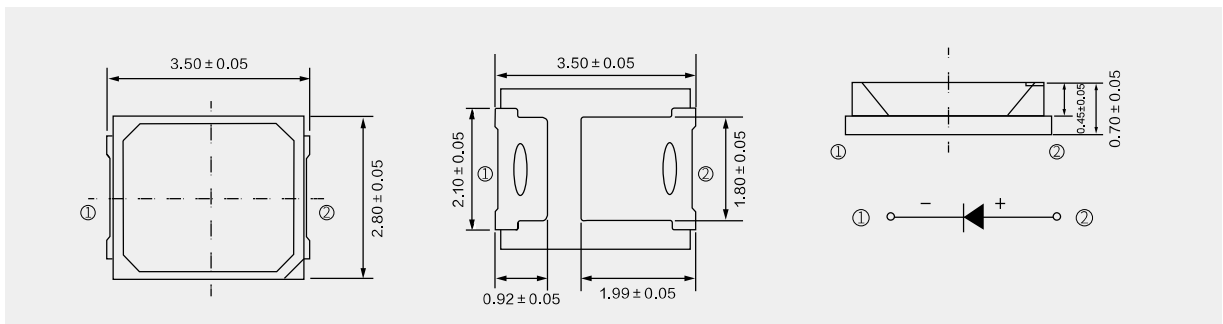
灯条
Light Bar

灯带
Strip Light

键盘
keyboard

植物灯
Grow Light

Package Size

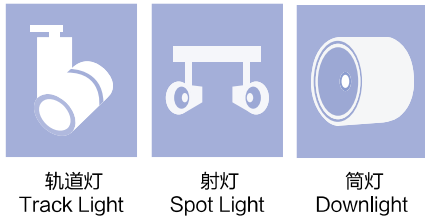


All dimensions are in millimeter

Parameter

Part Number	Color	Watt(W)	Iv(mcd)	Vf(V)	If(mA)	Wd(nm)
T2835F-R615HHJCAA3B0-0000	Red	0.2	1750-3500	1.8-2.6	60	615-625
T2835F-R615JEKCAA3B0-0000	Red	0.5	4400-8800	1.8-2.6	150	615-625
T2835F-A600HHJCAA3B0-0000	Amber	0.2	1750-3500	1.8-2.6	60	600-610
T2835F-A600JDKAAA5B2-0000	Amber	0.5	3500-7000	2.0-2.8	150	600-610
T2835F-Y585HHJCAA3B0-0000	Yellow	0.2	1750-3500	1.8-2.6	60	585-595
T2835F-Y585JEKCAA3B0-0000	Yellow	0.5	4400-8800	1.8-2.6	150	585-595
T28351-G515JDKAAB3C0-AB00	Green	0.2	3500-7000	2.8-3.6	60	515-525
T28351-G515KCLDAB3C0-0000	Green	0.5	8800-18000	2.8-3.6	150	515-525
T28351-B450GGHAAB3C0-AB00	Blue	0.2	550-1100	2.8-3.6	60	450-460
T28351-B450HEJBAB3C0-AF00	Blue	0.5	1400-2800	2.8-3.6	150	450-460
T28351-B460GKHGAB3B8-BD00	Blue	0.2	880-1750	2.8-3.6	60	460-470
T28351-B460HHJCAB3C0-AD00	Blue	0.5	1750-3500	2.8-3.6	150	460-470

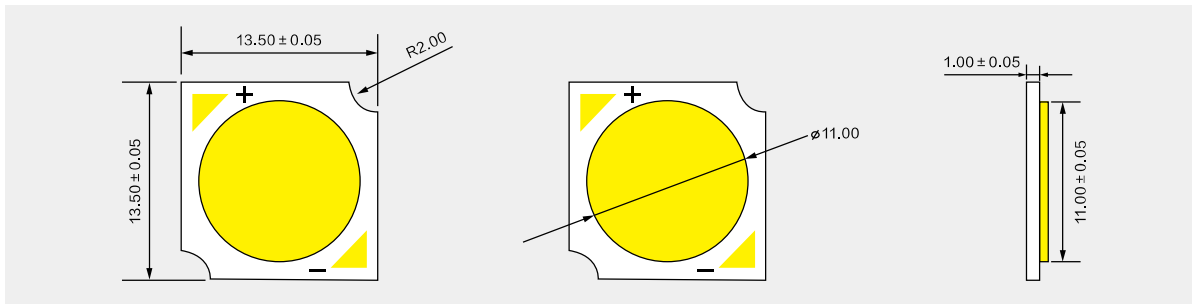
COB 1313 Series



轨道灯 Track Light 射灯 Spot Light 筒灯 Downlight

1. 采用国际最新荧光粉沉淀技术及高Tj(150℃)芯片,全面提升产品品质和产品的耐温及可靠性。
2. 2019年持续主推高光效COB,为终端灯具客户从用电上节约电费成本。
3. 2019年主推特殊色点COB,主打服装照明、酒店照明系列,为客户创造新价值和新的卖点。
4. 2019年主推全光谱和类太阳光谱健康照明和因人照明高端产品。
5. 2019年倒装COB主推陶瓷基板和超导铝基板两大类中高端产品。

Package Size

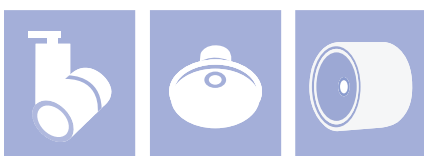


All dimensions are in millimeter

Parameter

Part Number	Watt(W)	Luminous Flux(lm)	Vf(V)	If(mA)	Ra	CCT(K)
CP1313L10-1204W29SP5P6FM8N4-0000	10	1300-1500	34-40	350	80	2700K 3000K 3500K 4000K 4500K 5000K 5700K 6500K
CP1313L10-1204W41SP3P5FM8N4-0000	10	1400-1600	34-40	350	80	
CP1313L10-1204W50SP3P5FM8N4-0000	10	1400-1600	34-40	350	80	
CP1313L15-3201W29SP5P7FU0U9-C000	15	1500-1800	95-105	150	80	
CP1313L15-3201W41SP8P9FU0U9-CH00	15	1600-1900	95-105	150	80	
CP1313L15-3201W50SP6P7FT5U4-CS00	15	1600-1900	95-105	150	80	
CP1313L24-5401W29SQ2Q2F4145-C000	24	1800-2200	155-170	150	80	
CP1313L24-5401W41SQ2Q2F4145-C000	24	2000-2400	155-170	150	80	
CP1313L24-5401W50SQ2Q2F4145-C000	24	2000-2400	155-170	150	80	

COB 1919 Series



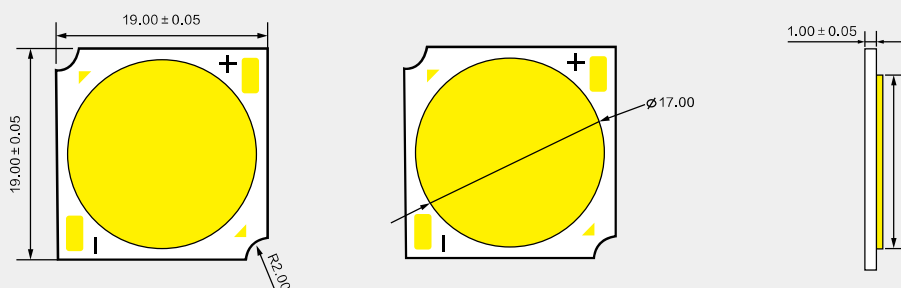
轨道灯
Track Light

Par灯
Par Light

筒灯
Downlight

1. 采用国际最新荧光粉沉淀技术及高Tj(150℃)芯片,全面提升产品品质和产品的耐温及可靠性。
2. 2019年持续主推高光效COB,为终端灯具客户从用电上节约电费成本。
3. 2019年主推特殊色点COB,主打服装照明、酒店照明系列,为客户创造新价值和卖点。
4. 2019年主推全光谱和类太阳光谱健康照明和因人照明高端产品。
5. 2019年倒装COB主推陶瓷基板和超导铝基板两大类中高端产品。

Package Size



All dimensions are in millimeter

Parameter

Part Number	Watt(W)	Luminous Flux(lm)	Vf(V)	If(mA)	Ra	CCT(K)
CP1919L34-3602W30YQ5Q6FV5V9-CS01	34	3000-4000	108-115	300	80	2700K 3000K 3500K 4000K 4500K 5000K 5700K 6500K
CP1919L34-3602W41SQ5Q6FV5V9-CS01	34	3200-4200	108-115	300	80	
CP1919L34-3602W62GQ5Q6FV5V9-CS01	34	3200-4200	108-115	300	80	
CP1919L35-3902W30YQ6Q7FW0W9-CH00	35	3200-4200	115-125	300	80	
CP1919L35-3902W41SQ7Q8FW0W9-CH00	35	3500-4500	115-125	300	80	
CP1919L35-3902W57YQ7Q8FW0W9-CH00	35	3500-4500	115-125	300	80	
CP1919L40-1208W29SQ7Q8FN0N4-0000	40	4000-5000	36-40	1200	80	
CP1919L40-1208W41SQ8R0FN0N4-0000	40	4500-5500	36-40	1200	80	
CP1919L40-1208W62GQ8R0FN0N4-0000	40	4500-5500	36-40	1200	80	

Ceiling Light Module Series

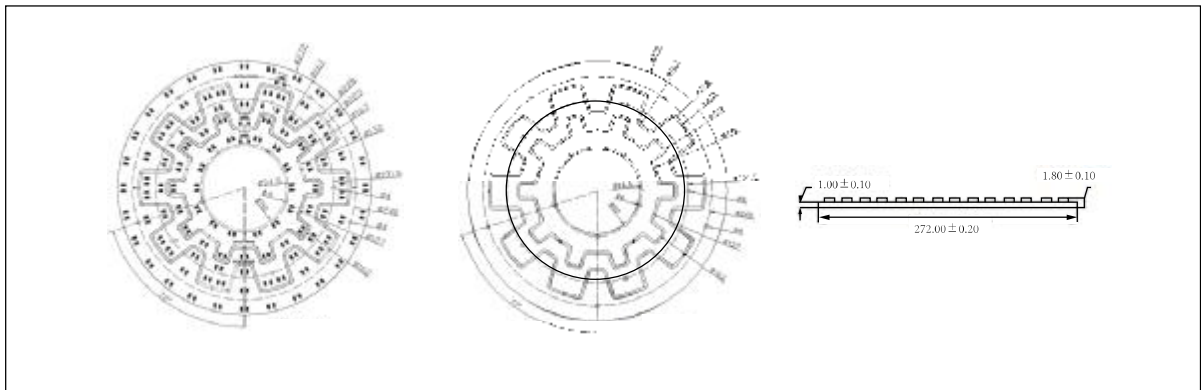


吸顶灯
Ceiling Light



Ceiling Light Module Series

Package Size



All dimensions are in millimeter

Parameter

Part Number	Watt(W)	Input Voltage (v)	If(mA)	LED (pcs)	Luminous Flux(lm)	CCT(K)	Ra	Size (mm)
MXL06415-2862GF2F22402F-0000	15	65-85	200	48	1600-1800	2700-6500	80	φ 162*1.0
MXL06412-2864SF2F22401F-0003	2*12	65-85	2*150	48	2400-2600	2700-6500	80	φ 162*1.0
MXL06118-2862GD1D22404F-0000	18	65-85	240	96	2200-2400	2700-6500	80	φ 223*1.0
MXL06118-2864SF2F21804F-0003	2*18	50-65	2*300	72	3600-3900	2700-6500	80	φ 223*1.0
MXL06324-2862GD1D22406F-0000	24	65-85	300	144	2600-2800	2700-6500	80	φ 272*1.0
MXL06324-2864SF2F22404F-0003	2*24	65-85	2*300	96	4500-4800	2700-6500	80	φ 272*1.0



深圳市源磊科技有限公司

地址: 深圳市宝安区松岗街道潭头社区第四工业区A15栋
电话: +86-755-29785901 邮箱: sales@runlitetech.com
传真: +86-755-29785685 邮编: 518100
www.runlitetech.com